

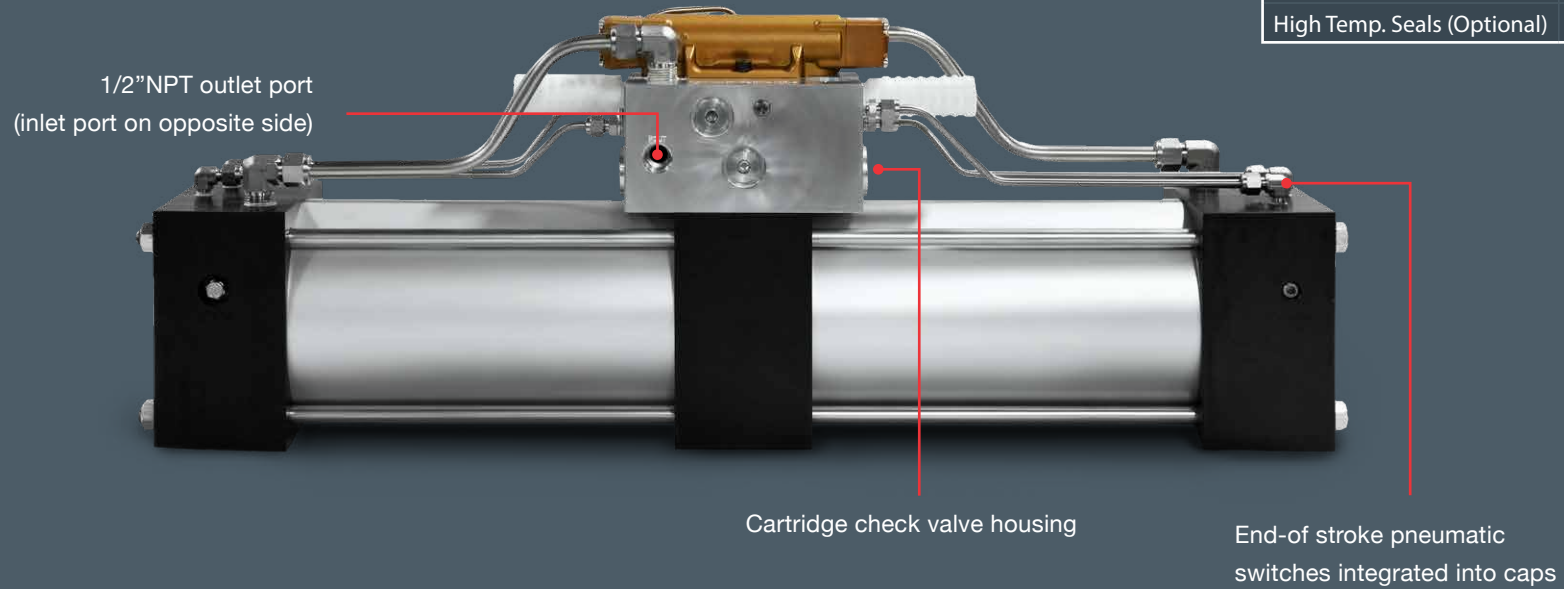
# A<sup>2</sup>A Booster

Dual-Stage High-Output Pneumatic Booster

- Up to 4:1 Boost Ratio
- Automatic Operation
- Do More With Less



# Booster Design



Temperature Ratings	
Low Temp. Seals (Standard)	-54 C to 90 C
High Temp. Seals (Optional)	-10 C to 200 C

## Do More With Less

A<sup>2</sup>A Systems are significantly smaller and lighter than a conventional air tank system. Below is an example of how air-assisted fail-safe systems which use Cowan's A<sup>2</sup>A pneumatic booster provide a more economical solution than a conventional air tank fail-safe system



### Conventional System

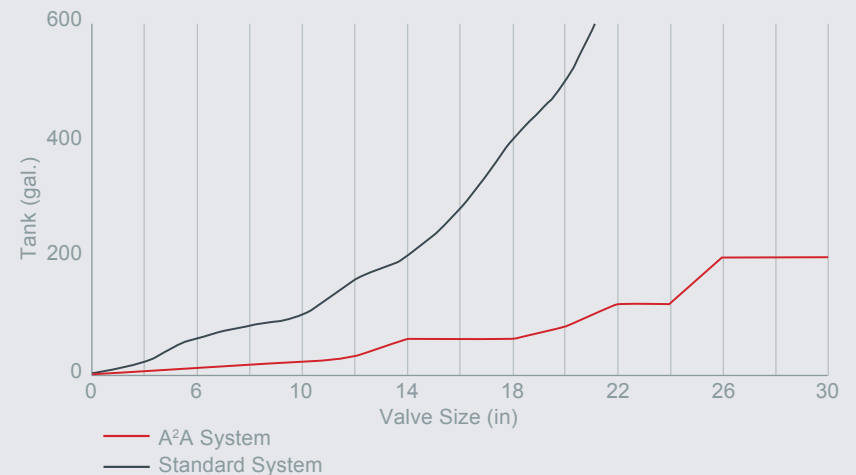
- 785 lbs
- 400 gallon tank
- 30" x 30" footprint
- 20" Bore pneumatic valve actuator

- Up to 85% Smaller**
- Up to 45% Lighter**
- Up to 40% Cost Savings**

### The A<sup>2</sup>A System

- 430 lbs
- 60 gallon tank
- 20" x 20" Footprint
- 16" Bore pneumatic valve actuator

## Tank System vs A<sup>2</sup>A Boosted System

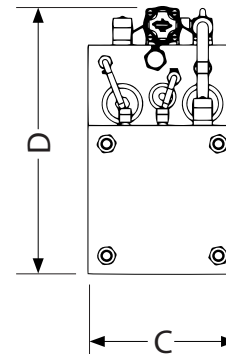
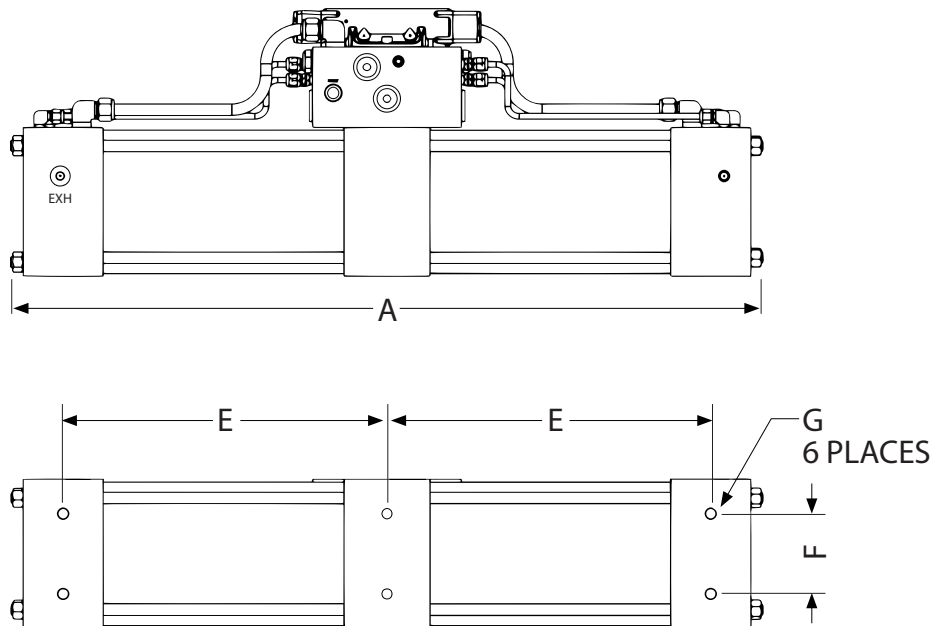




A2A Booster undergoing Low Temperature cycle testing

- Compact design requires no electrical or mechanical power
- 125 PSI Max Inlet Pressure
- 250 PSI Max Outlet Pressure
- High Output: 100 cubic inch swept volume
- Quiet Operation
- Low Temp seals are standard; down to -54°C (-65°F)

## Pneumatic Booster Dimensions



Ratio	Actuator Dimensions (in)							Swept Volume (in <sup>3</sup> )
	Stock	A	C	D	E	F	G	
2:1	A2A-2	23.75	6.50	11.70	9.62	3.50	½-20UNF x ¾"	100
3:1	A2A-3	32.80	6.50	11.70	14.12	3.50	½-20UNF x ¾"	100
4:1	A2A-4	39.75	6.50	11.70	17.62	3.50	½-20UNF x ¾"	100

**Related materials**

Visit our website to download or request a printed catalogue.



**Solutions Include:**

**Valve Actuators**

**Fail-Safe Systems**

**Digital Process Control Panels**

**Pneumatic Process Control Panels**

**For sales and technical information,  
Contact us at:**

**Head Office/Factory:**

6194 Notre Dame West  
Montreal, Quebec H4C 1V4  
TOLL-FREE: 855-341-3415

**Sales Office:**

211 Watline Ave, Unit 205  
Mississauga, Ontario L4Z 1P3  
T: 905-829-2910  
TOLL-FREE: 855-341-3415  
info@cowandynamics.com

**f** /cowandynamics

**in** /company/cowan-dynamics

**You Tube** /cowandynamics

**g+** /+cowandynamics

