

# Panel Solutions

Custom Control Panels and Systems

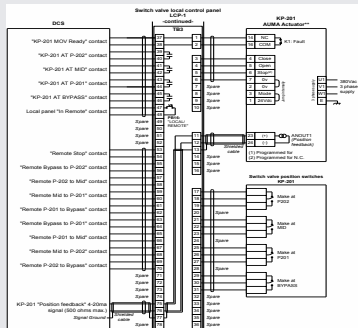
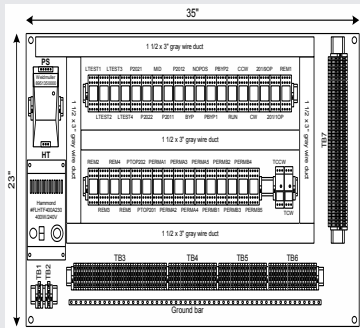
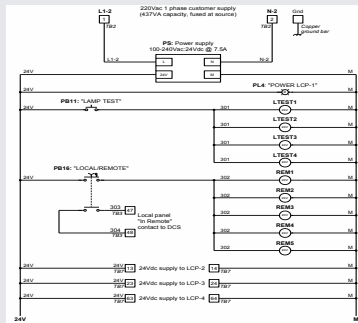
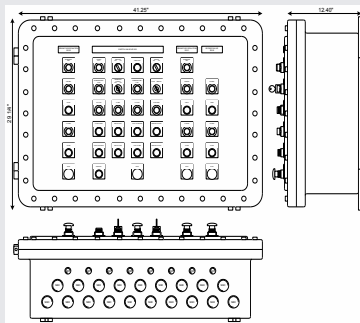
- Engineering and Design
- Assembly
- Programming
- Factory & Site Acceptance Testing
- Worldwide Industrial Certifications



# Engineering & Design

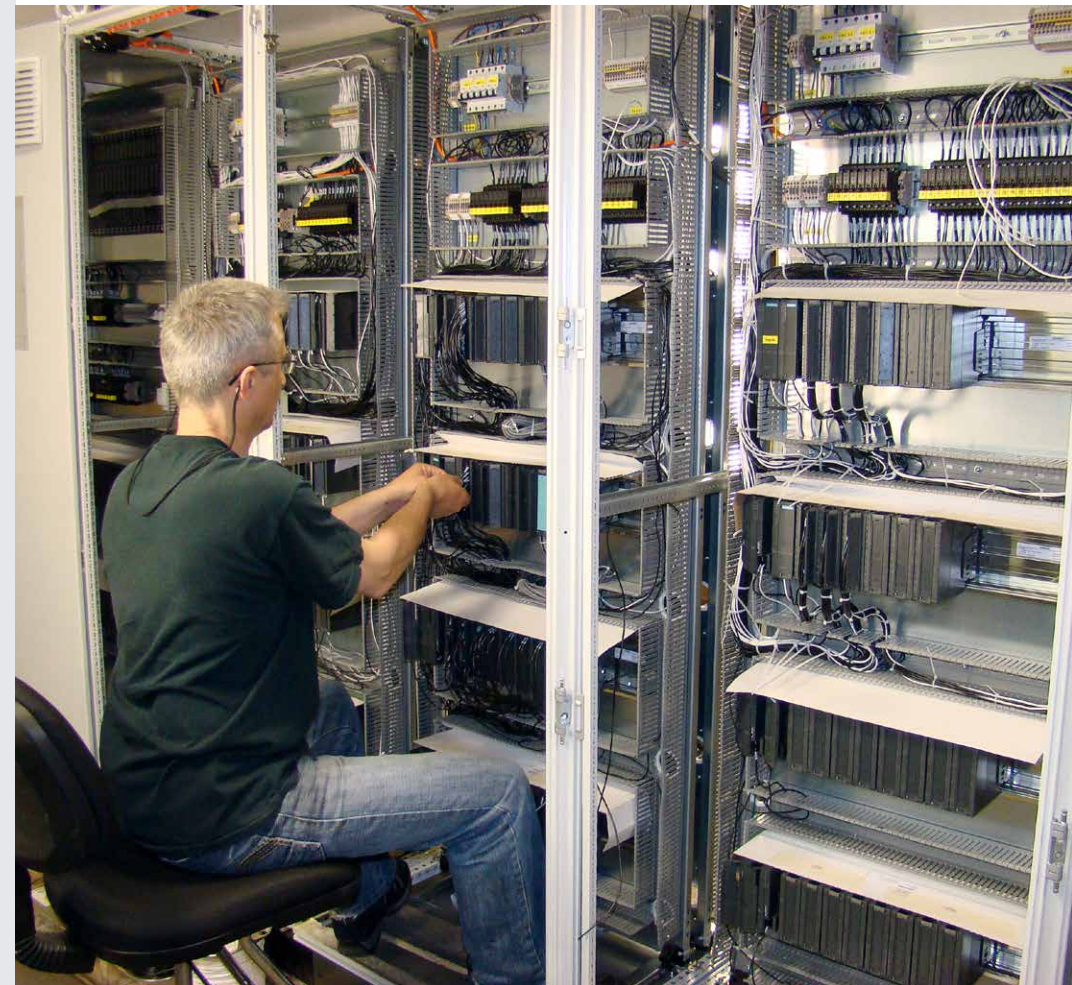
From small simple local control panels to large multi-cabinet PLC based systems. Based on the logic provided by the end user.

- Components Selection
- Electrical Schematics
- Layout Diagrams
- Interconnection Diagrams
- Operating and Maintenance Manuals



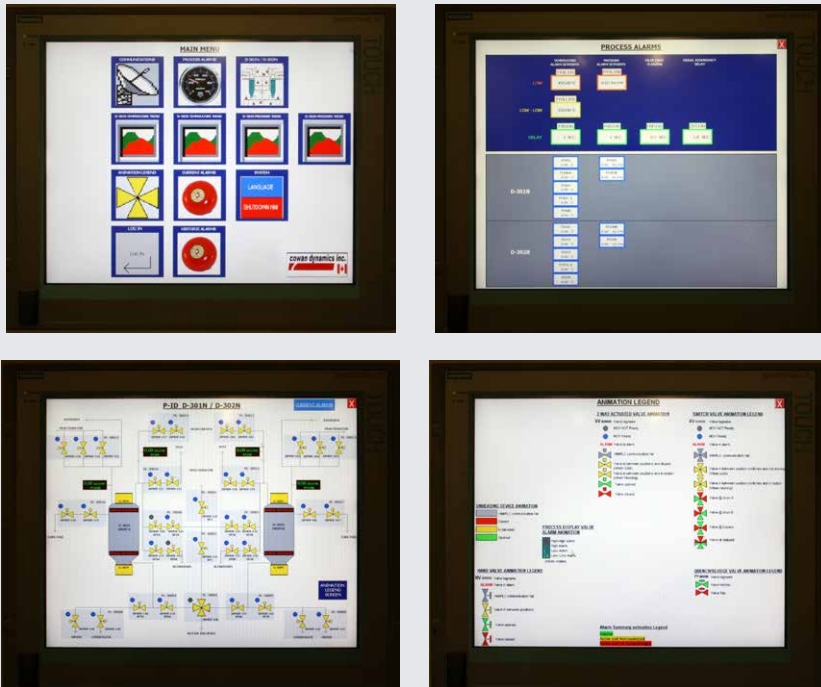
# Assembly & Integration

- Assembly of Enclosures
- Integration and Wiring of Components



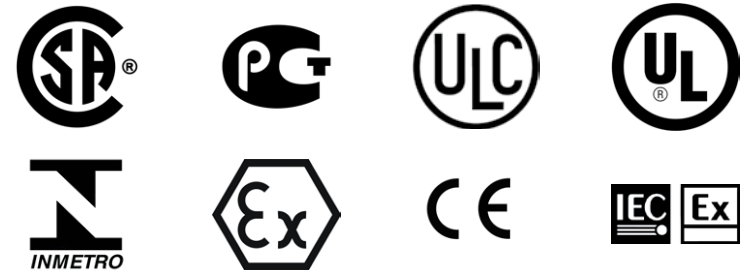
# Programming & Software Development

- PLC/HMI Program Development - All major brands supported
- Custom development of computer screens for operator interface
- Database Development
- Report Generation Software Development
- DCS Software Development



# Testing & Certification

- We have a dedicated team for performing or assisting with FAT and SAT
- Worldwide Industrial Certifications:



**Related materials**

Visit our website to download or request a printed catalogue.



**Solutions Include:**

**Valve Actuators**

**Fail-Safe Systems**

**Digital Process Control Panels**

**Pneumatic Process Control Panels**

**For sales and technical information,  
Contact us at:**

**Head Office/Factory:**

6194 Notre Dame West  
Montreal, Quebec H4C 1V4  
TOLL-FREE: 855-341-3415

**Sales Office:**

211 Watline Ave, Unit 205  
Mississauga, Ontario L4Z 1P3  
T: 905-829-2910  
TOLL-FREE: 855-341-3415  
info@cowandynamics.com

**f** /cowandynamics

**in** /company/cowan-dynamics

**You Tube** /cowandynamics

**g+** /+cowandynamics

